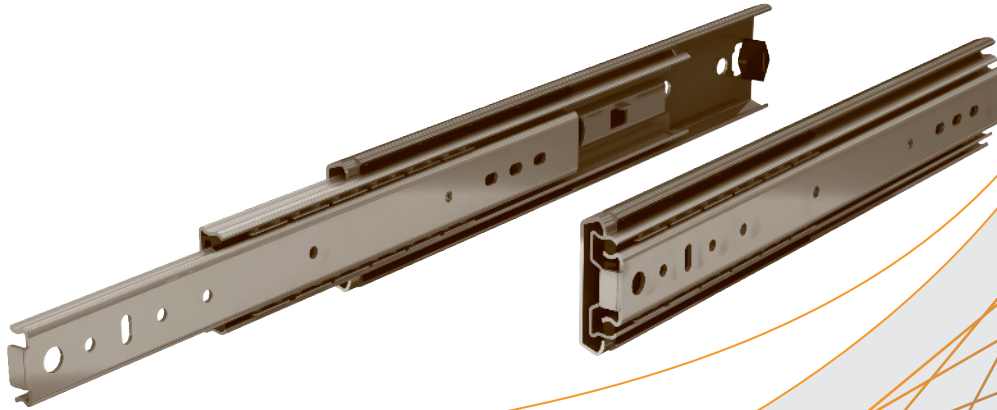


THREE STAGE-FULL EXTENSIONS-BALL BEARING-100LBS CAPACITY-250LBS CAPACITY-DETENT CLOSE

DRAWER SLIDES



15

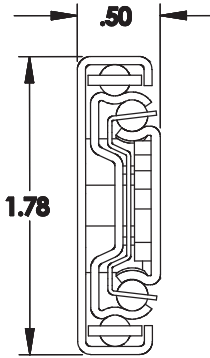
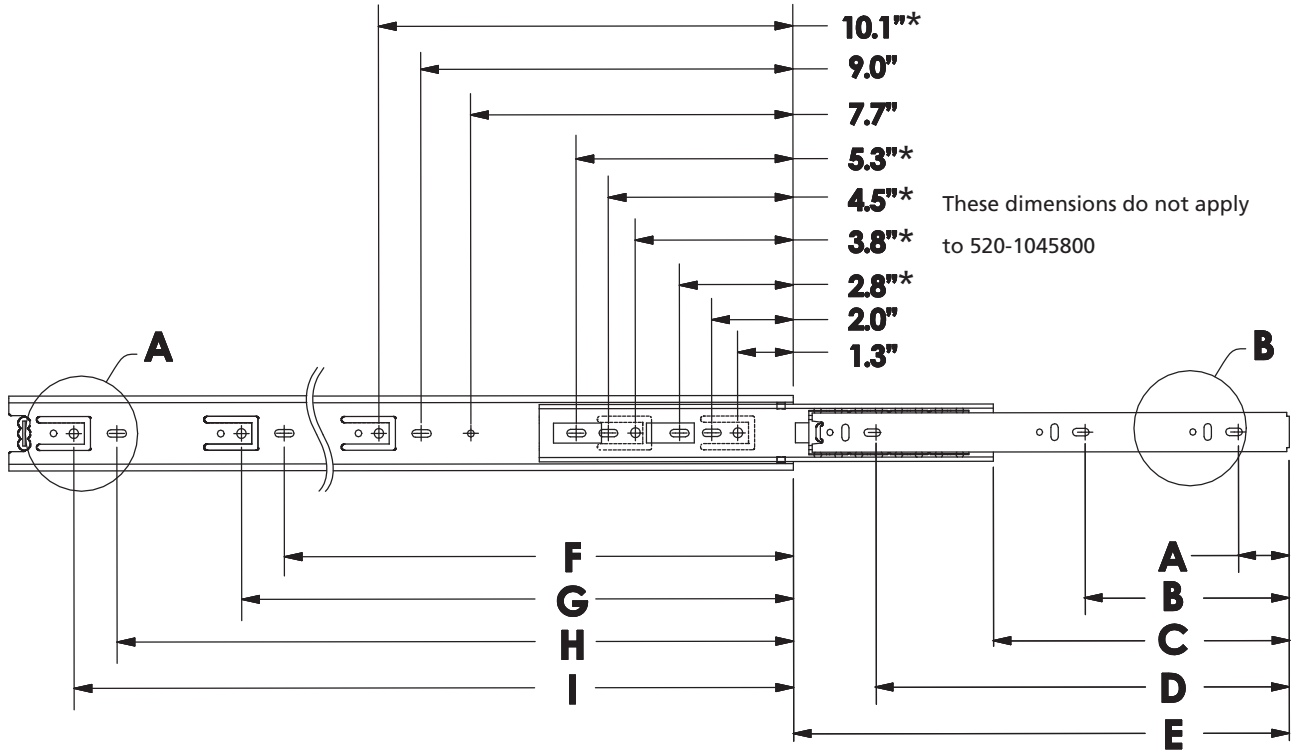
TCH drawer slides are available in either 100lbs./pair or 250lbs./pair load capacity. All of our slides are 3 stage, full extension, with over travel.

The inner rail is equipped with a quick release mechanism so that it can be separated for installation and removal of the drawer or sliding shelf. The slide has a hold-in feature that prevents the drawer slide from opening accidentally.

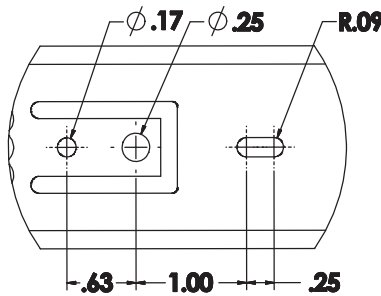
These slides are made in an all steel construction with high precision hardened steel ball bearings and zinc plated for corrosion resistance.



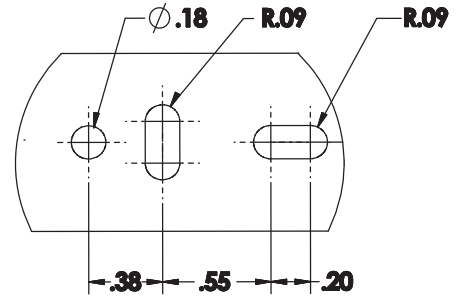
100 lbs. Drawer Slides



SIDE VIEW



DETAIL A



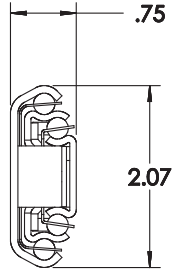
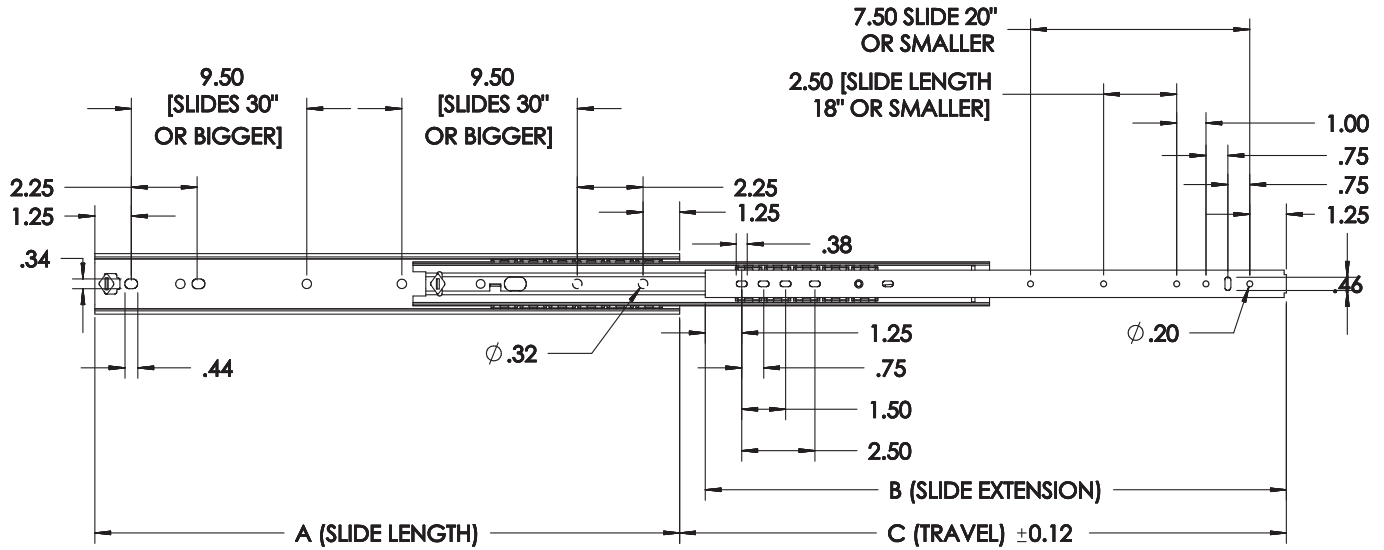
DETAIL B

10" to 28" 100lbs. Drawer Slides

100lbs. Full Extension Drawer Slides

| Part Number | Length | Weight/Pair | A | B | C | D | E | F | G | H | I |
|-------------|--------|----------------|-------|--------|--------|--------|--------|--------|--------|--------|--------|
| 520-1045800 | 10" | 1.98lbs/.90kg | 1.25" | - | 5.87" | 8.31" | 10.00" | - | - | - | - |
| 520-1245800 | 12" | 1.98lbs/.90kg | 1.25" | 5.00" | 7.75" | 10.12" | 12.18" | - | - | - | - |
| 520-1445800 | 14" | 2.31lbs/1.05kg | 1.25" | 5.00" | 8.18" | 11.37" | 14.25" | - | - | - | - |
| 520-1645800 | 16" | 2.66lbs/1.21kg | 1.25" | 6.25" | 9.18" | 13.81" | 16.12" | 11.12" | 12.75" | - | - |
| 520-1845800 | 18" | 3.00lbs/1.36kg | 1.25" | 7.50" | 10.00" | 15.12" | 18.06" | 14.12" | 15.25" | - | - |
| 520-2045800 | 20" | 3.28lbs/1.49kg | 1.25" | 8.81" | 11.00" | 17.62" | 20.06" | 14.12" | 15.25" | 16.62" | 17.75" |
| 520-2245800 | 22" | 3.55lbs/1.61kg | 1.25" | 8.88" | 12.37" | 18.87" | 22.12" | 14.12" | 15.25" | 16.62" | 17.75" |
| 520-2445800 | 24" | 4.02lbs/1.82kg | 1.25" | 10.10" | 13.37" | 21.43" | 24.12" | 14.12" | 15.25" | 19.00" | 20.25" |
| 520-2645800 | 26" | 4.47lbs/2.03kg | 1.25" | 11.31" | 13.50" | 22.62" | 25.50" | 14.00" | 15.25" | 19.00" | 20.25" |
| 520-2845800 | 28" | 4.92lbs/2.23kg | 1.25" | 11.31" | 14.12" | 23.90" | 27.31" | 15.25" | 16.50" | 22.81" | 24.06" |

250 lbs. Drawer Slides



12" to 28" and 36" 250lbs. Drawer Slides

250lbs. Full Extension Drawer Slides

| Part Number | Length | Weight/Pair | A | B | C |
|--------------|--------|-----------------|-----|--------|--------|
| 520-12113800 | 12" | 3.56lbs/1.62Kg | 12" | 11.88" | 12.75" |
| 520-14113800 | 14" | 4.46lbs/2.03Kg | 14" | 13.88" | 14.75" |
| 520-16113800 | 16" | 5.36lbs/2.43kg | 16" | 15.88" | 16.75" |
| 520-18113800 | 18" | 6.08lbs/2.76Kg | 18" | 17.88" | 18.75" |
| 520-20113800 | 20" | 6.75lbs/3.60kg | 20" | 19.88" | 20.75" |
| 520-22113800 | 22" | 7.46lbs/3.38kg | 22" | 21.88" | 22.75" |
| 520-24113800 | 24" | 8.16lbs/3.70kg | 24" | 23.88" | 24.75" |
| 520-26113800 | 26" | 8.86lbs/4.02kg | 26" | 25.88" | 26.75" |
| 520-28113800 | 28" | 9.56lbs/4.34kg | 28" | 27.88" | 28.75" |
| 520-36113800 | 36" | 12.35lbs/5.60kg | 36" | 35.88" | 36.75" |