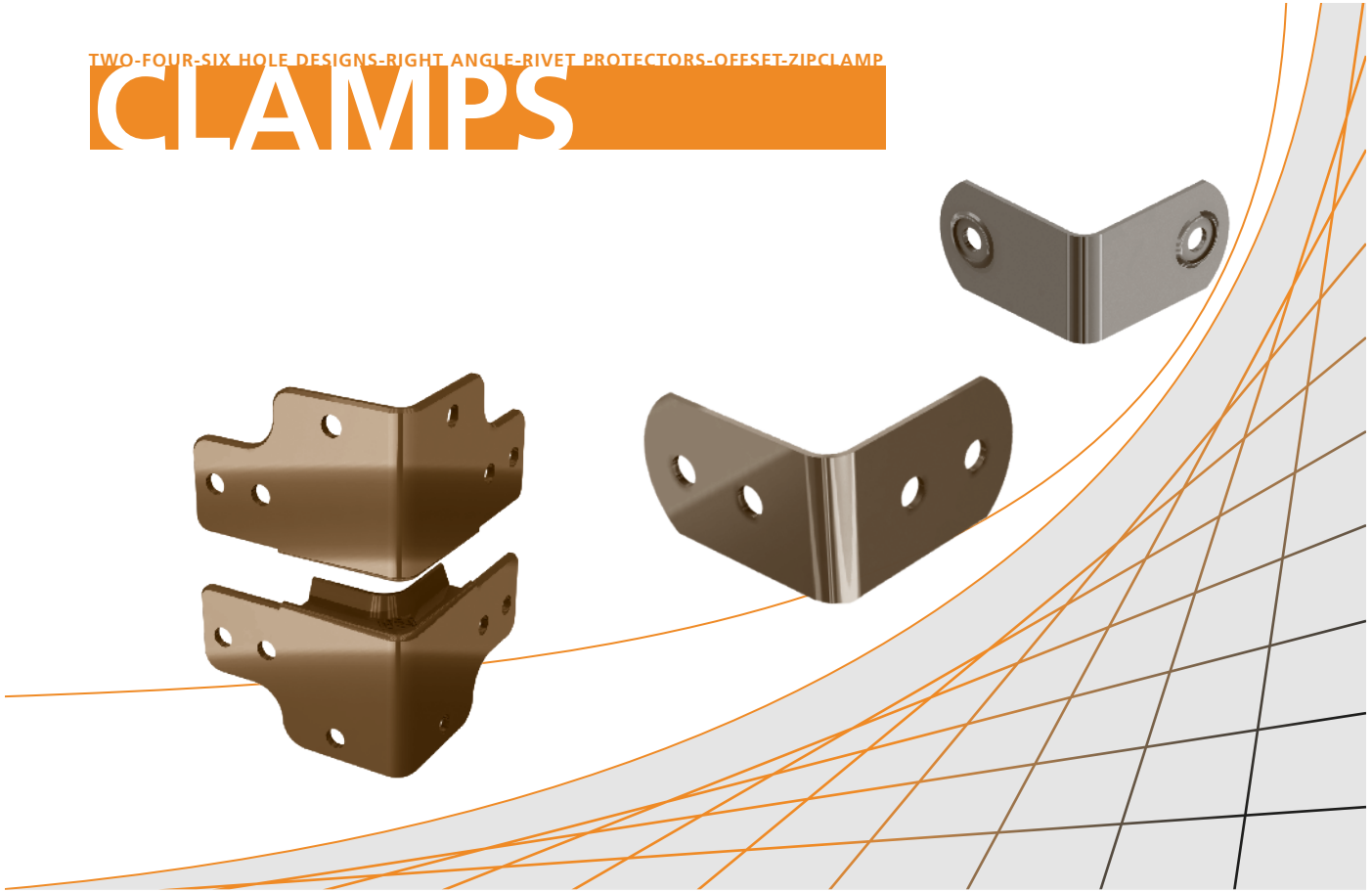
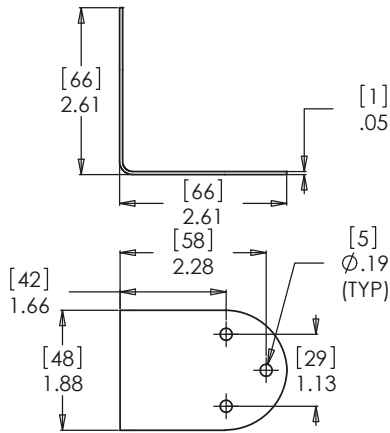


TWO-FOUR-SIX HOLE DESIGNS-RIGHT ANGLE-RIVET PROTECTORS-OFFSET-ZIPCLAMP

CLAMPS



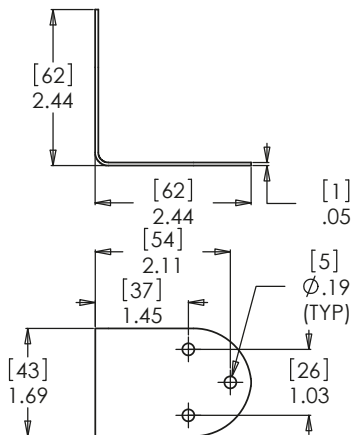
04



504-1740800 Extra Large Six Hole Clamp

Mat: Steel | Finish: Zinc Plate | Wt: .05kg / .11lbs

- On laminated cases with most popular extrusion sizes, the middle and lower mounting holes fasten to the sidewall, and the top holes fasten to the extrusion.
- For use on trunks, wooden crates, laminate cases, large fiber cases, and large carpet covered cases.
- 18ga steel construction.
- Zinc plated.



504-1735800 Large Six Hole Clamp

Mat: Steel | Finish: Zinc Plate | Wt: .04kg / .09lbs

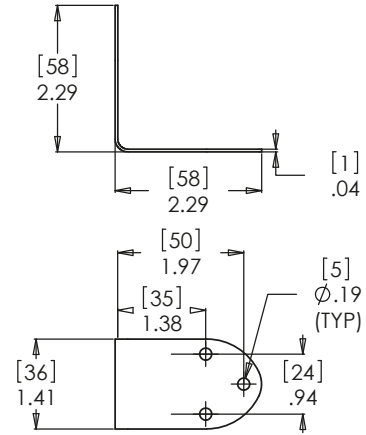
- On laminated cases with most popular extrusion sizes, the middle and lower mounting holes fasten to the sidewall, and the top holes fasten to the extrusion.
- For use on trunks, wooden crates, laminated cases, large fiber cases, and large carpet covered cases.
- 18ga steel construction.
- Zinc plated.

504-1730800

Six Hole Clamp

Mat: Steel | Finish: Zinc Plate | Wt: .03kg / .07lbs

- On laminated cases with most popular extrusion sizes, the middle and lower mounting holes fasten to the sidewall, and the top holes fasten to the extrusion.
- For use on trunks, wooden crates, laminated cases, large fiber cases, and large carpet covered cases.
- 19ga steel construction.
- Zinc plated.

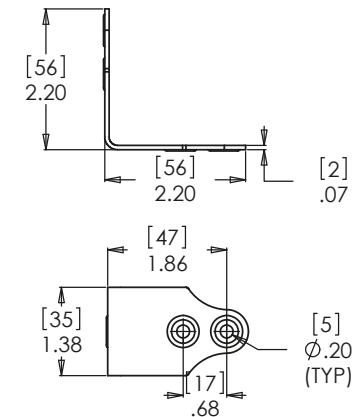


504-1722800

Four Hole Clamp with Rivet Protectors

Mat: Steel | Finish: Zinc Plate | Wt: .03kg / .07lbs

- Holes are in-line allowing all fastening to the extrusion
- For use on trunks, wooden crates, laminated cases, large fiber cases, and large carpet covered cases.
- 15ga steel construction.
- Zinc plated.



504-1725800

7/8" Offset Clamp

Mat: Steel | Finish: Zinc Plate | Wt: .03kg / .07lbs

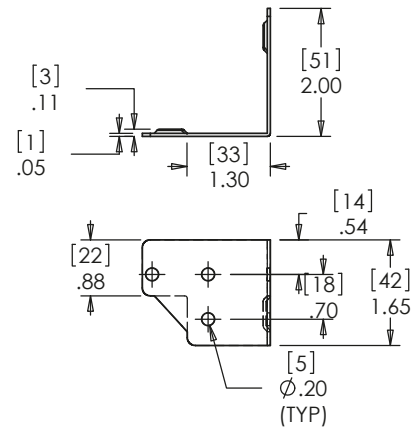
- Offset for 7/8" or shorter legs.

504-1726800

1-1/16" Offset Clamp

Mat: Steel | Finish: Zinc Plate | Wt: .04kg / .09lbs

- Offset for 1-1/16" or shorter legs.
- Fits cleanly over extrusions to provide for a more finished look.
- 18ga steel construction.
- Zinc plated.

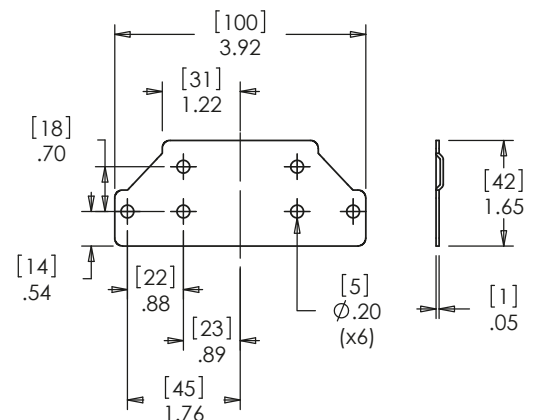


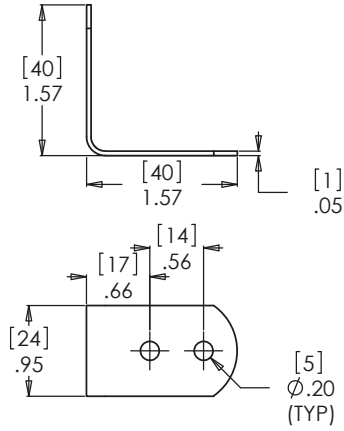
504-17255800

7-8" Offset Flat Clamp

Mat: Steel | Finish: Zinc Plate | Wt: .04kg / .09lbs

- Flat clamp used to strengthen and cover a joint between H-Channel and Angle extrusion.
- Offset for 7/8" or shorter legs.
- Fits cleanly over extrusions to provide for a more finished look.
- 18ga steel construction.
- Zinc plated.



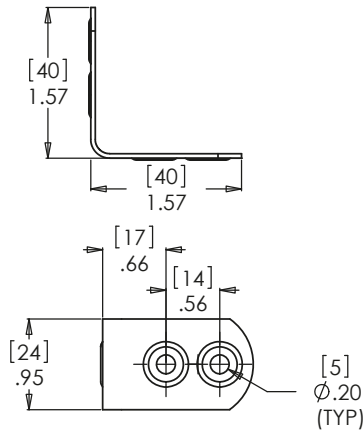


504-1700800

Four Hole Clamp

Mat: Steel | Finish: Zinc Plate | Wt: .02kg / .04lbs

- Industry standard four hole light duty clamp.
- Fits most popular extrusion sizes.
- Hole locations allow for fastening to extrusions.
- Works with both rivets and screws.
- 18ga steel construction.
- Zinc plated.

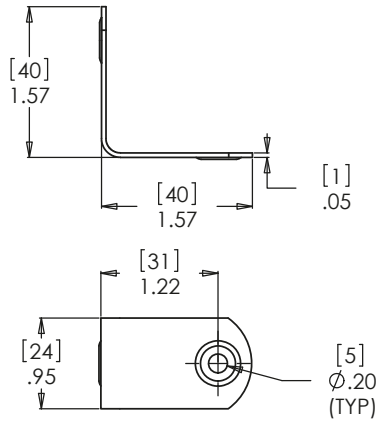


504-1703800

Four Hole Clamp with Rivet Protectors

Mat: Steel | Finish: Zinc Plate | Wt: .02kg / .04lbs

- Fits most popular extrusion sizes.
- Hole locations allow for fastening to extrusions.
- Works with both rivets and screws.
- 18ga steel construction.
- Zinc plated.

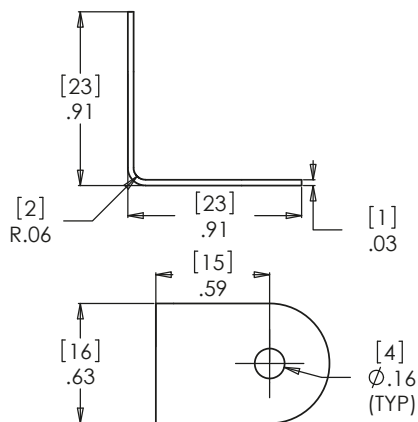


504-1707800

Two Hole Clamp with Rivet Protectors

Mat: Steel | Finish: Zinc Plate | Wt: .02kg / .04lbs

- Fits most popular extrusion sizes.
- Hole locations allow for fastening to extrusions.
- Works with both rivets and screws.
- 18ga steel construction.
- Zinc plated.



504-1710801

Light Duty Two Hole Clamp

Mat: Steel | Finish: Nickel Plate | Wt: .005kg / .01lbs

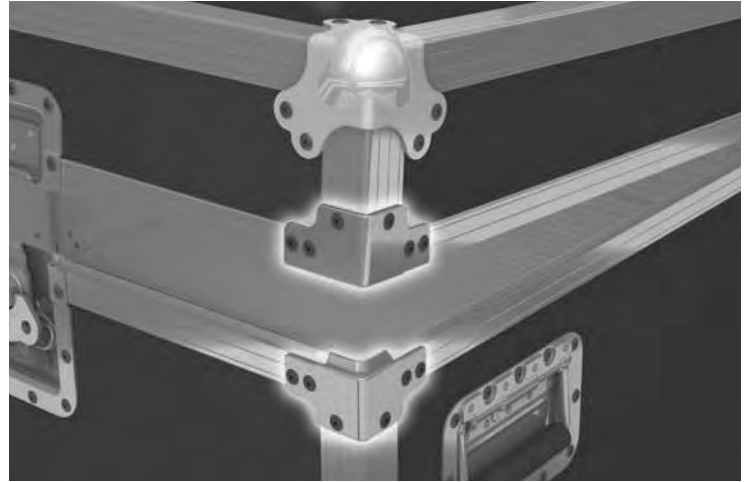
- Can be used with 1/8" extrusions.
- Hole locations allow for fastening to extrusions.
- For use on light duty trunks, crates, laminated cases, fiber cases, or carpet covered cases.
- 22ga steel construction.
- Nickel plated.

Introducing an innovation to the ATA /Road case industry.

Zip Clamp

The ZIP CLAMP™ will dramatically improve case fabrication time and lower labor cost!

The ZIP CLAMP™ eliminates corner miter cutting! No need for specialized costly equipment or matching pairs of extrusions!

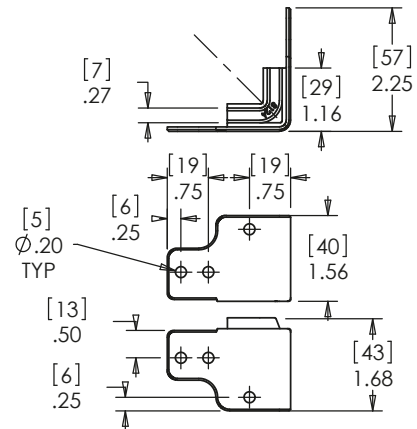


504-8124800

1/4" Zip Clamp

Mat: Zinc Die-cast | Finish: Zinc plate | Wt: .14kg / .31lbs

- Patent pending design of integral tongue and groove matches with TCH valance extrusions 507-3021806 & 507-3023806.
- Sold as set of one tongue and one groove clamp.
- The ZIP CLAMP™ replaces the current clamp/brace used on most cases.
- Constructed from rugged Die-Cast zinc.
- For 1/4" cases.

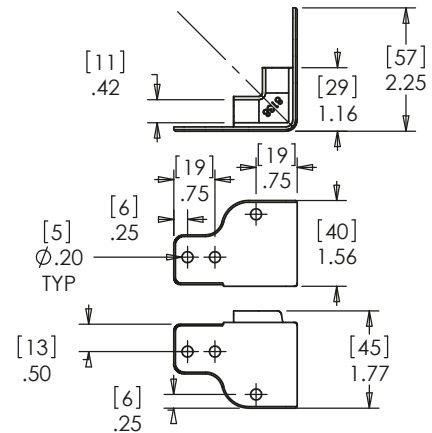


504-8138800

3/8" Zip Clamp

Mat: Zinc Die-cast | Finish: Zinc plate | Wt: .15kg / .33lbs

- Patent pending design of integral tongue and groove matches with TCH valance extrusions. 507-3100806 or 507-3101806 and 507-3103806 or 507-3104806.
- Sold as set of one tongue and one groove clamp.
- The ZIP CLAMP™ replaces the current clamp/brace used on most cases.
- Constructed from rugged Die-Cast zinc.
- For 3/8" cases.



504-8150800

1/2" Zip Clamp

Mat: Zinc Die-cast | Finish: Zinc plate | Wt: .15kg / .34lbs

- Patent pending design of integral tongue and groove matches with TCH valance extrusions. 507-3033806 and 507-3035806.
- Sold as set of one tongue and one groove clamp.
- The ZIP CLAMP™ replaces the current clamp/brace used on most cases.
- Constructed from rugged Die-Cast zinc.
- For 1/2" cases.

